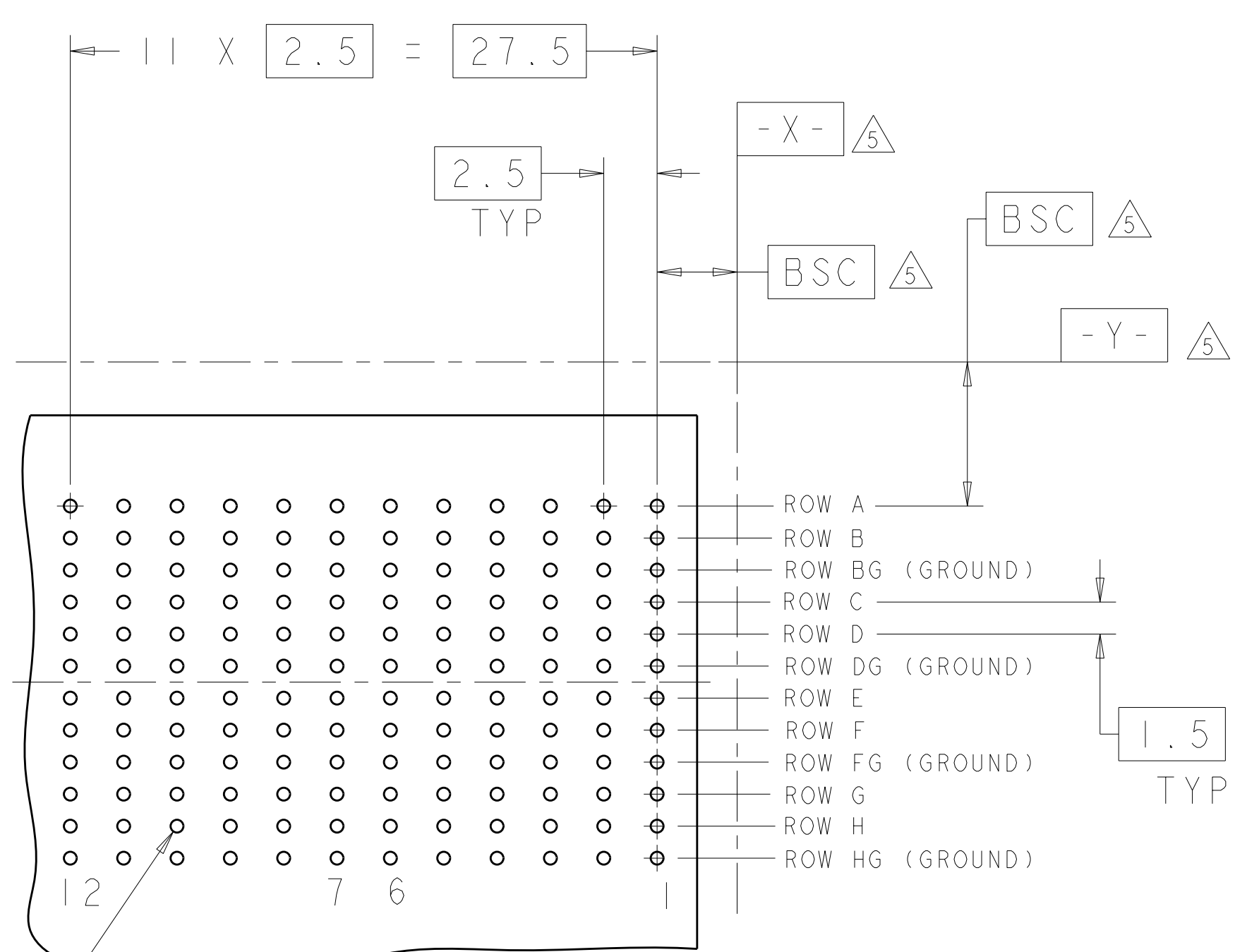
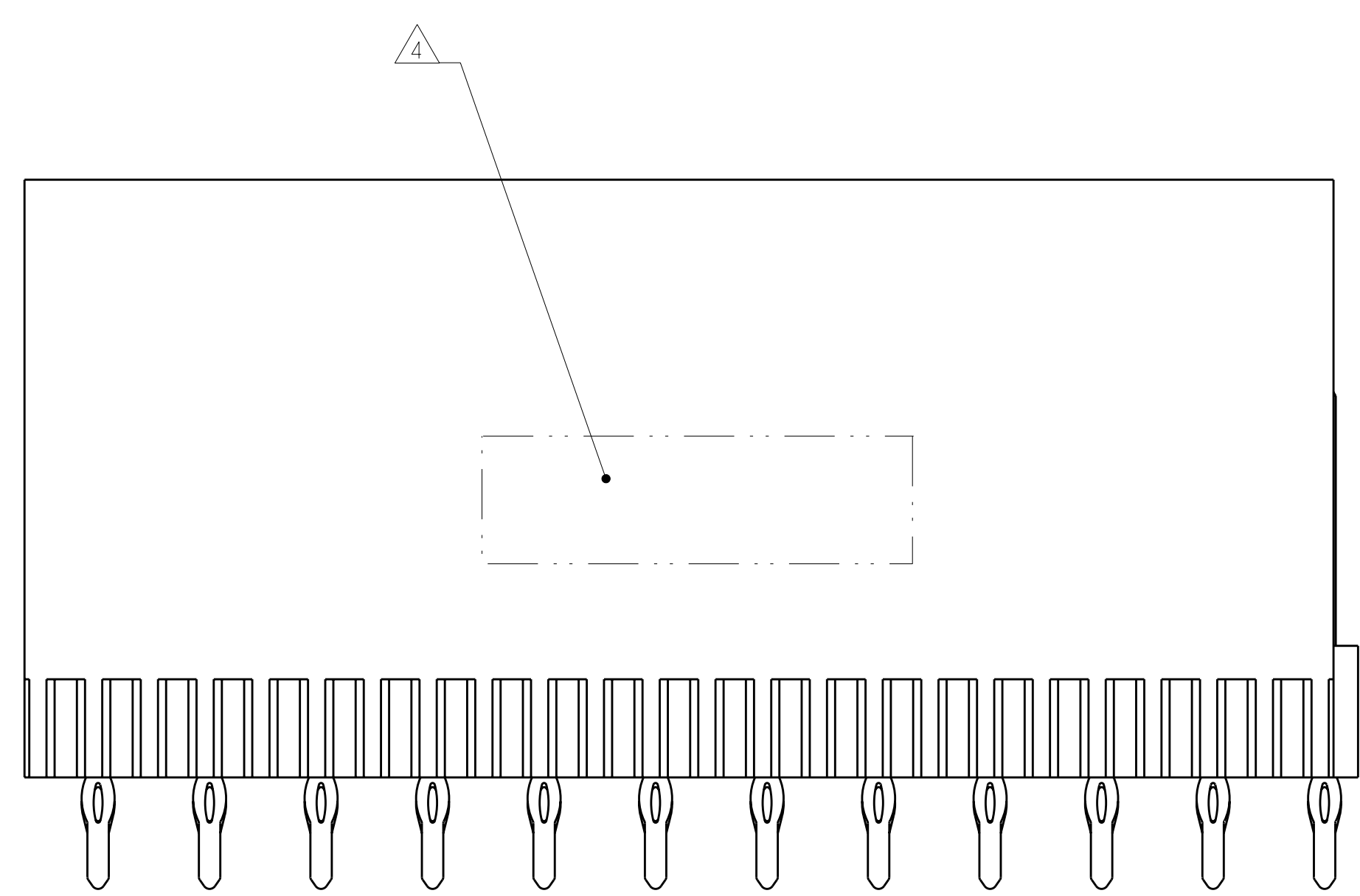
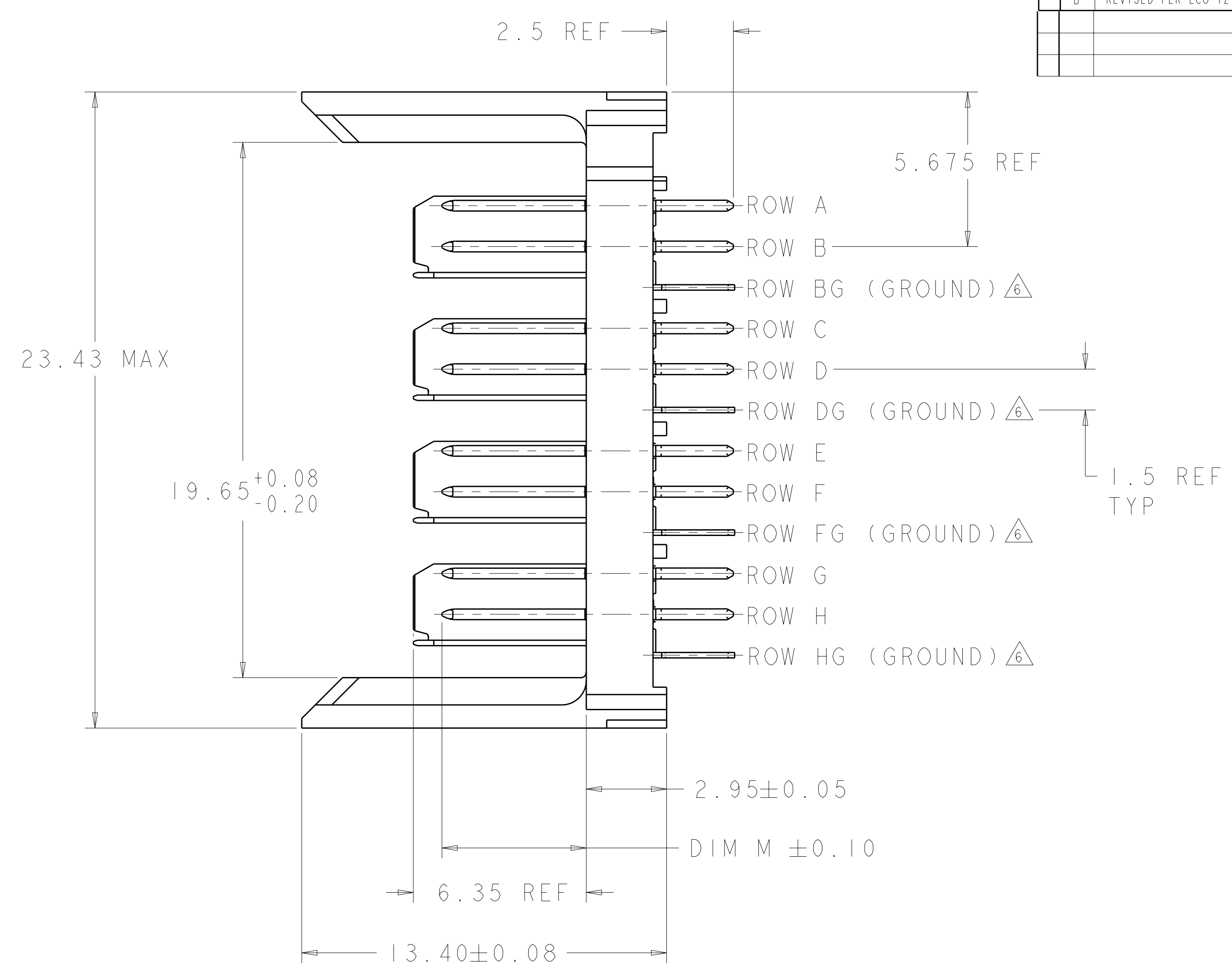
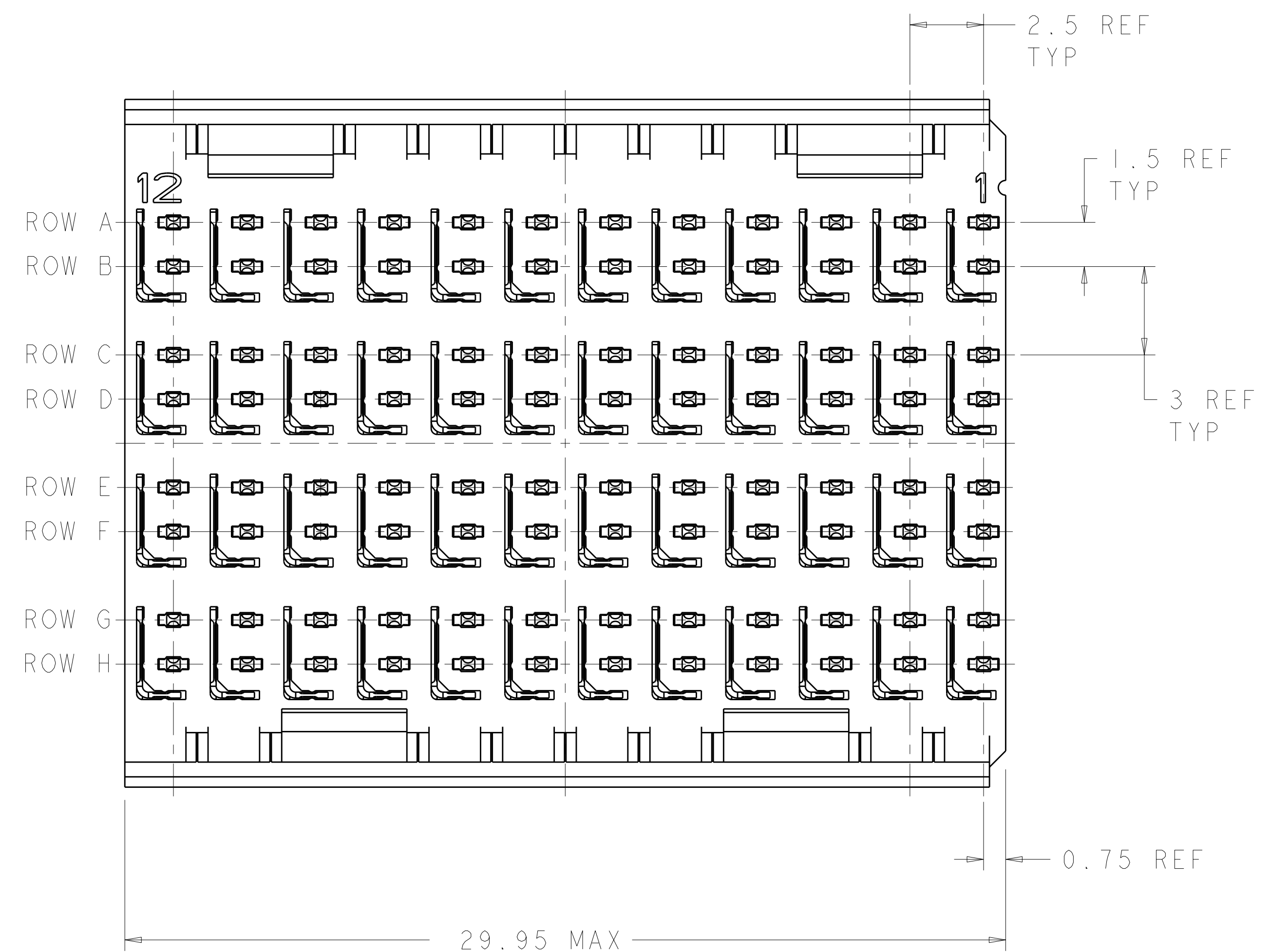


LOC		DIST		REVISIONS			
AD	00	REV	DATE	DATE	DWN	APVD	
		B	REVISED PER ECO-12-000118	18JAN2012	KH	DD	



- △ REFERENCE APPLICATION SPEC 114-13059 FOR RECOMMENDED PLATED THRU HOLE DIAMETER AND PLATING THICKNESSES.
- △ MATERIAL: CONTACT AND SHIELD - PHOSPHOR BRONZE HOUSING - GLASS FILLED POLYESTER. UL 94V-0.
- △ FINISH: SIGNAL AND GROUND CONTACTS: MATING AREA: MEETS THE PERFORMANCE REQUIREMENTS OF PRODUCT SPECIFICATION 108-2055; BASED ON TELCORDIA GR-1217-CORE, APPLICATIONS IN UNCONTROLLED ENVIRONMENTS COMPLIANT PIN AREA: 0.5 μm MIN MATTE TIN OVER BASE PLATING
- △ CONNECTOR MARKED WITH PART NUMBER AND DATE CODE.
- △ DATUMS AND BASIC DIMENSIONS ESTABLISHED BY CUSTOMER.
- △ THE FOUR GROUNDS IN EACH COLUMN ARE COMMONED.
- 7. CONTACT AREA LUBRICATED WITH BELLCORE APPROVED LUBRICANT. TECHNICAL REFERENCE: GR-1217-CORE, ISSUE 1, NOVEMBER 1995.

⊕ ∅ 0.05 ⊕ X Y  
 ALL PLATED THRU HOLES

RECOMMENDED PC BOARD LAYOUT, BACKPLANE, COMPONENT SIDE SHOWN SCALE 4:1

3.80	6469287-2
5.30	6469287-1
DIM M	PART NUMBER

THIS DRAWING IS A CONTROLLED DOCUMENT.		DWN S. J. MAGARO 25JUL2004	TE Connectivity
DIMENSIONS: mm		CHK R. A. PATTERSON 25JUL2004	
TOLERANCES UNLESS OTHERWISE SPECIFIED:		APVD P. PATTERSON 17AUG2007	NAME: HEADER ASSEMBLY, 4 PAIR, 2.5mm TAIL, 30mm HMZd
9 PLC ±		PRODUCT SPEC	
1 PLC ±		APPLICATION SPEC	SIZE: CAGE CODE: DRAWING NO: A100779C=6469287
5 PLC ±		WEIGHT	RESTRICTED TO
4 PLC ±		CUSTOMER DRAWING	SCALE: 8:1 SHEET 1 OF 1 REV B
ANGLES			
FINISH			